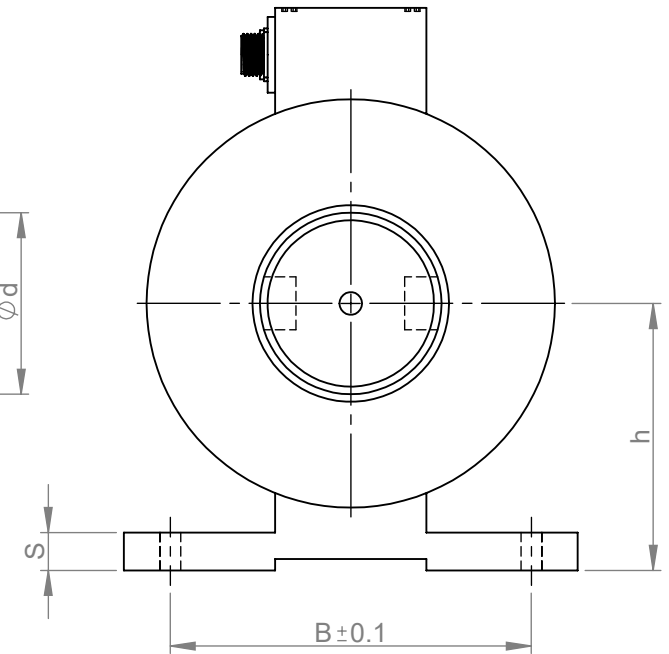
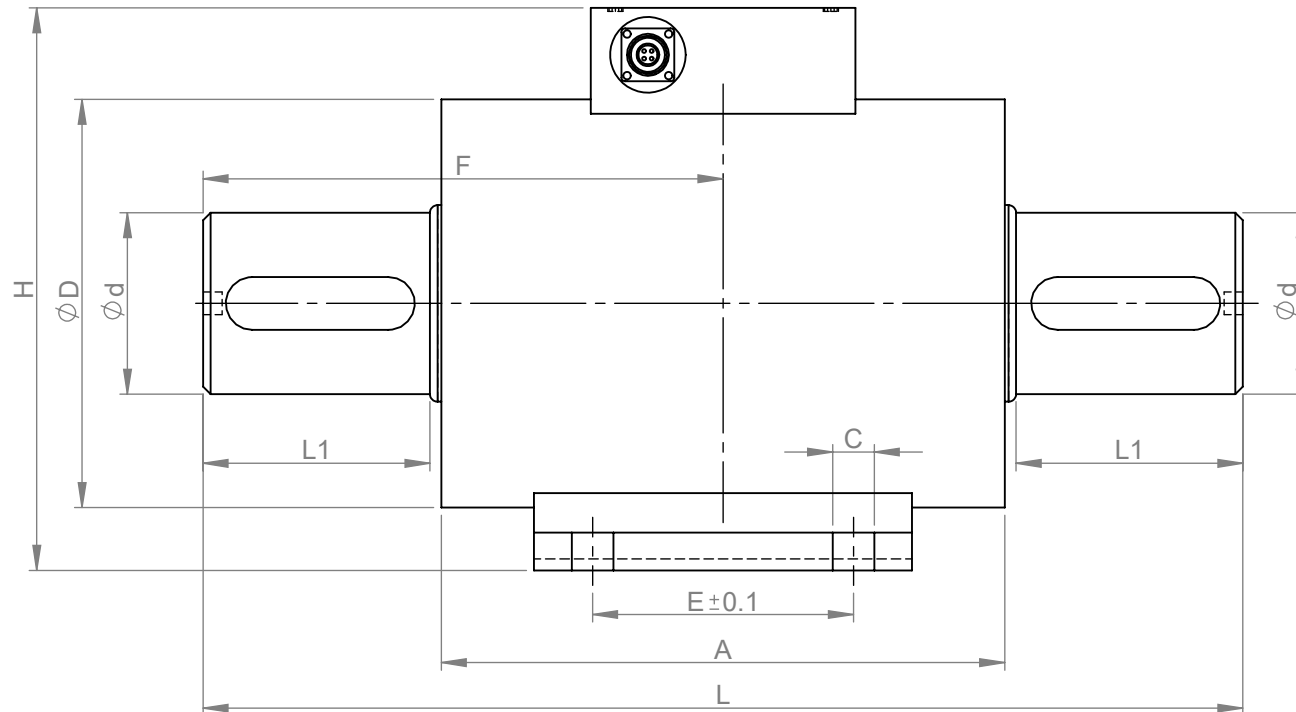
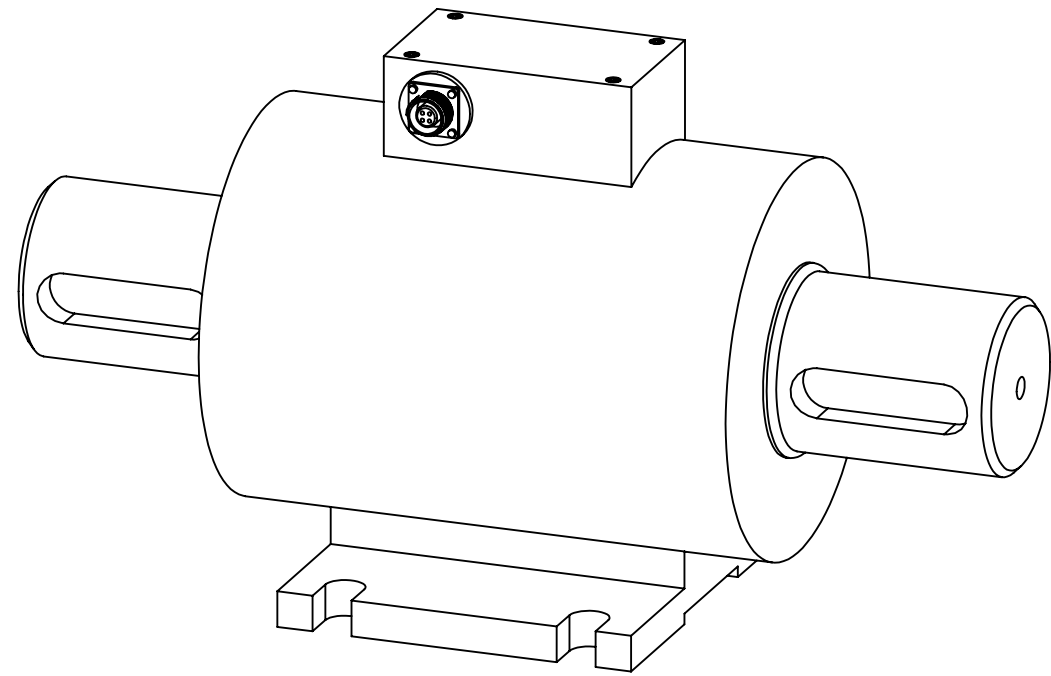


N.m	$\phi D$	$\phi d$	L	L1	E	A	H	h	B	F	S	C	Key slot (LxWxH) 2 keys
1000	108	48	275	60	69	149	152	70	90	137.5	15	11	50x14x9
1500	108	48	275	60	69	149	152	70	90	137.5	15	11	50x14x9
2000	118	55	298	70	69	152	164	77	124	149	15	11	60x16x10
5000	143	75	356	100	68	150	188	90	146	178	15	13	93x20x12
10000 20000	158	98	388	118	80	146	215	109	170	194	15	13	109x28x16
50000	215	140	451	135	79	171	265	138	170	225.5	15	17	123x36x20
100000	247	180	572	180	90	156	305	162	250	261	25	17	166x45x25
150000	350	235	900	315	220	250	420	220	250	450	25	17	315x56x32
200000	360	255	900	320	220	210	446	240	250	450	25	17	320x56x32
300000	416	295	900	325	220	224	480	250	268	450	25	17	325x70x36



TITLE:	ZHKY901-1K~30KNm		NAME	DATE
DWG NO.	R1	DRAWN	AS	2021-06-04
DIMENSION	mm	APPV'D		